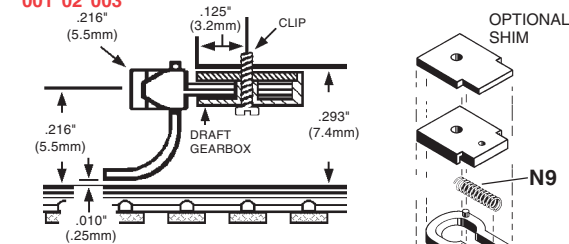


Couplers by Number

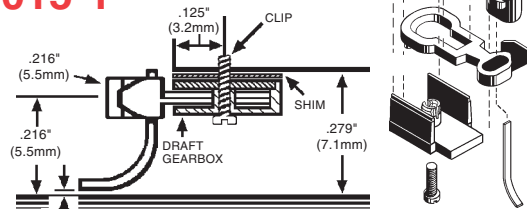
The following pages include dimensions for couplers and pilots. This information is vital in helping you determine the easiest conversion for each of your applications.

Note: Measurements given may vary plus or minus .005", due to the molding process and materials used.

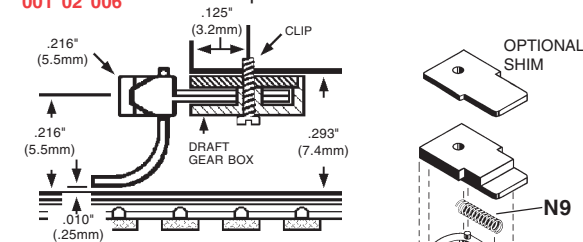
1015-1 RDA, Flush end mounting, short shank coupler for long radii track curves.



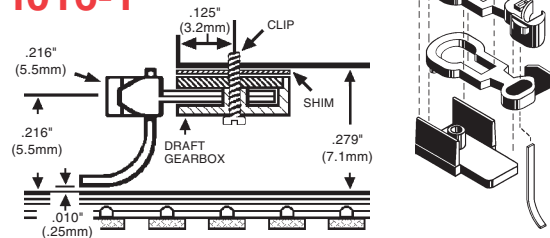
1015-1 RDA, with shim



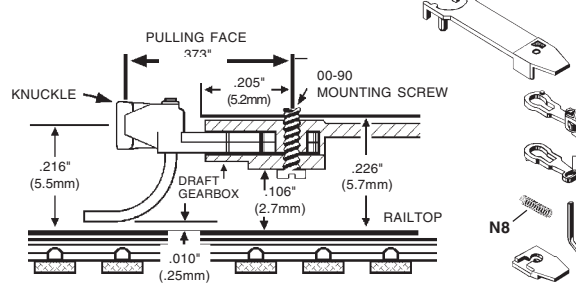
1016-1 RDA, Flush end mounting, regular shank couplers for short radii track curves.



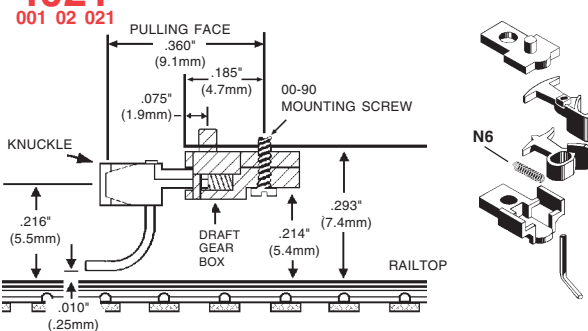
1016-1 RDA, with shim



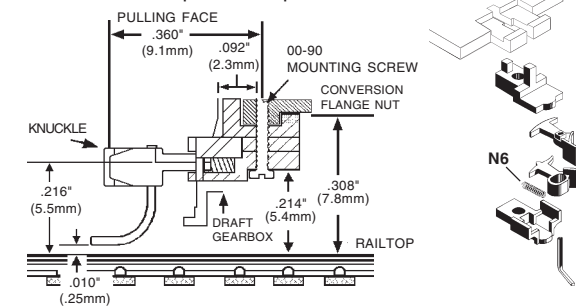
1019 Truck Mount with underset mounting for 89' 4" TOFC/COFC and similar mounting applications.



1021 Body Mount, low, short profile coupler

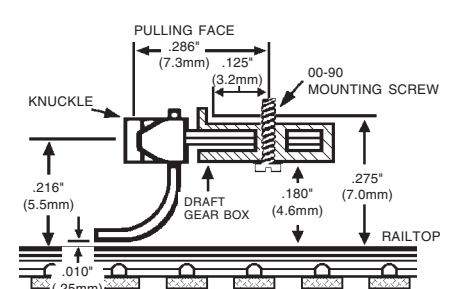


1022 Body Mount, low, short profile coupler

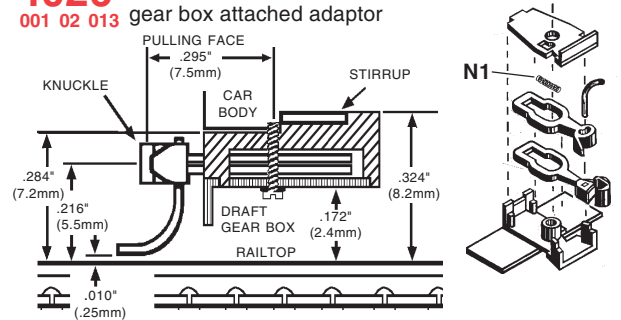


1023 Body Mount (assembled #1025)

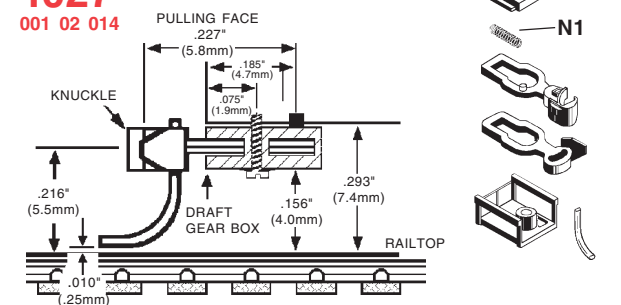
001 02 009



1026 Body Mount with #1026 draft gear box attached adaptor



1027 Body Mount short shank coupler

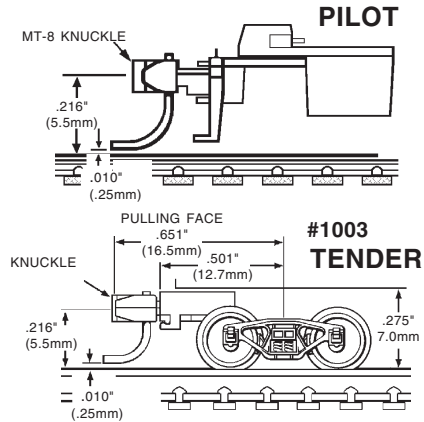


Couplers by Number (continued)

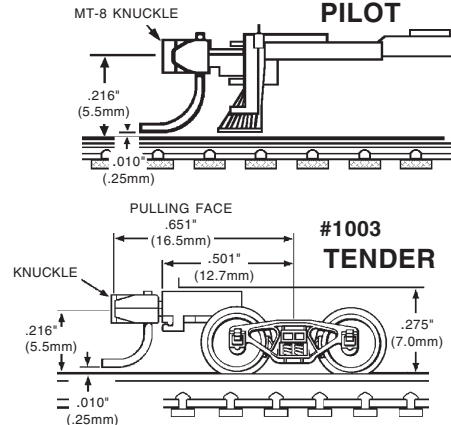
The following pages include dimensions for couplers and pilots. This information is vital in helping you determine the easiest conversion for each of your applications.

Note: Measurements given may vary plus or minus .005", due to the molding process and materials used.

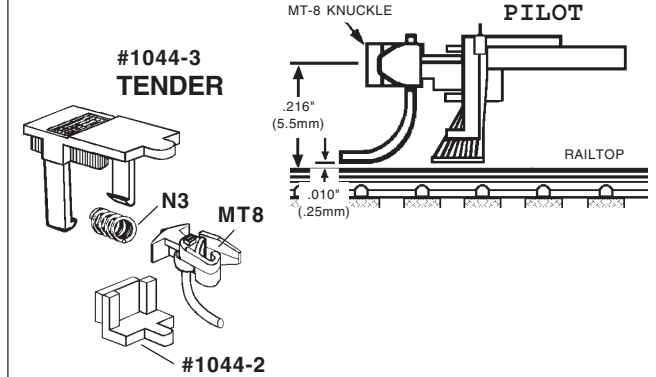
1041 #1041 Pilot (assembled) with T-Shank coupler
001 50 000 #1003 Truck mounted coupler (tender)



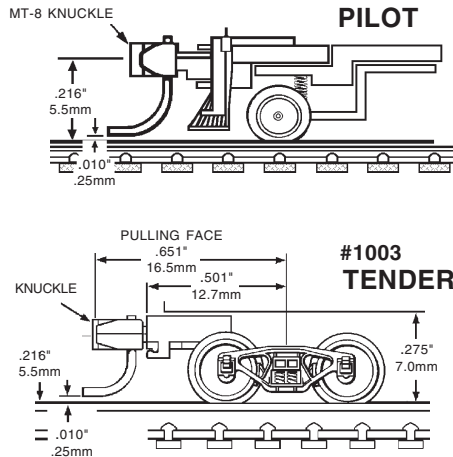
1043 Pilot (assembled) with T-Shank coupler and
001 30 011 truck mounted coupler (tender)



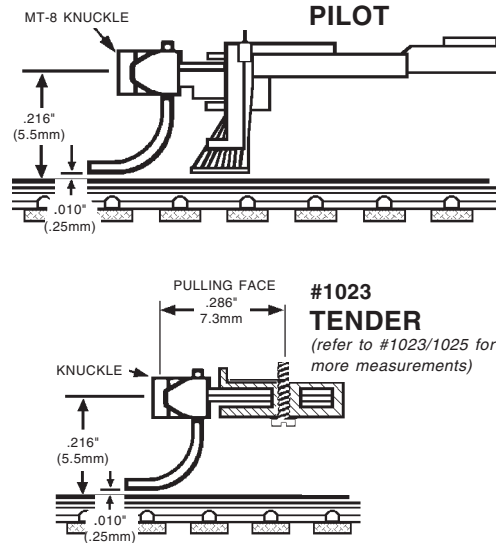
1044 Pilot (assembled) with T-Shank coupler and
001 48 000 unassembled T-Shank coupler with adaptor
and lid (tender)



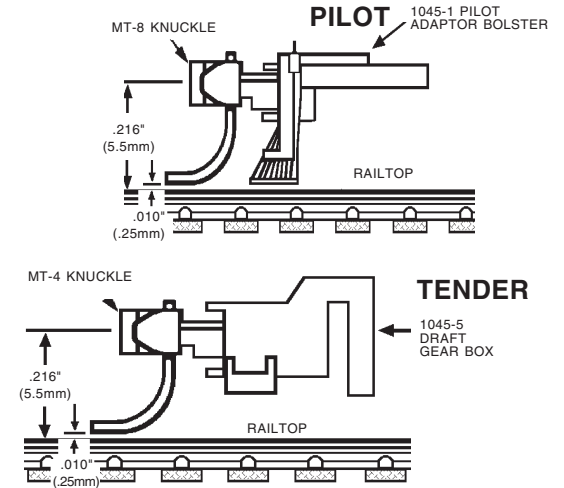
1042 Pilot (assembled) with T-Shank coupler,
001 50 010 two wheel pilot truck with wheels, and truck
mounted coupler (tender)



1043-1 Pilot (assembled) with T-Shank coupler
001 30 010 and assembled body mount coupler (tender)



1045 Pilot (assembled) with T-Shank coupler and
001 48 010 assembled T-Shank coupler with draft gear
box (tender)



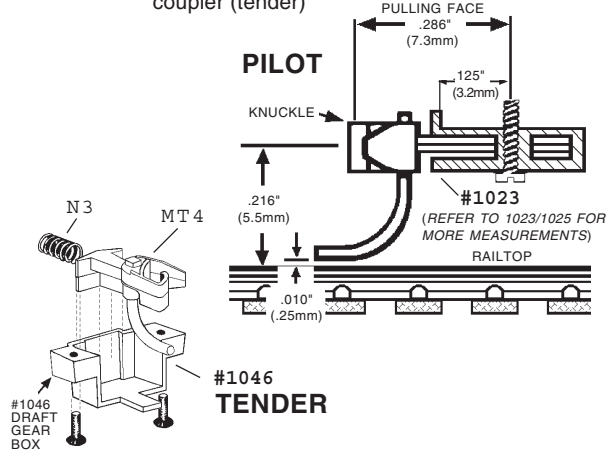
Continued ... Section 2 • Page 11

Couplers by Number (continued)

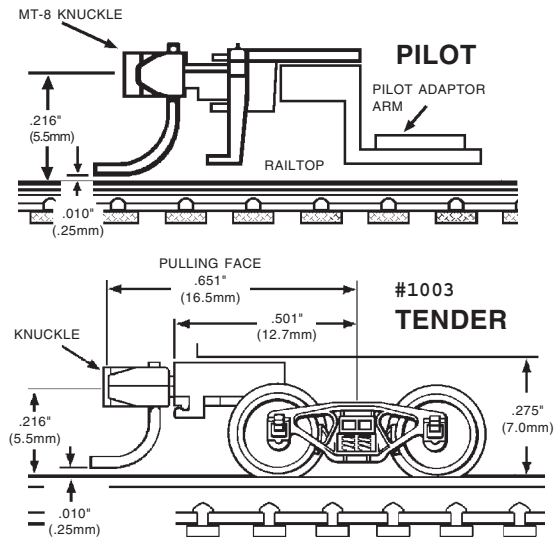
Note: Measurements given may vary plus or minus .005", due to the molding process and materials used.

The following pages include dimensions for couplers and pilots. This information is vital in helping you determine the easiest conversion for each of your applications.

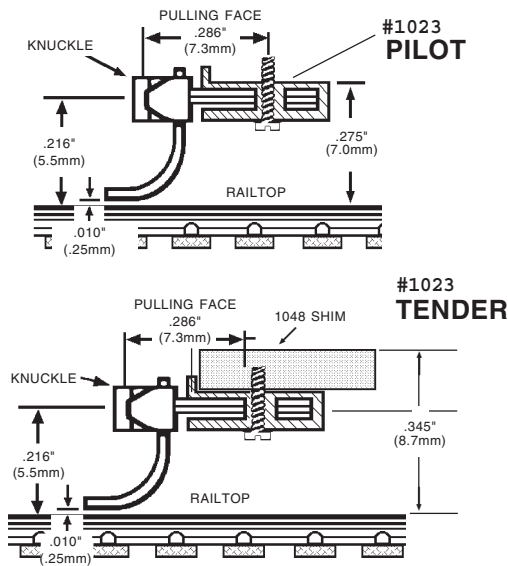
1046 T-Shank (unassembled) coupler with draft gear box (pilot), and assembled body mount coupler (tender)
001 47 000



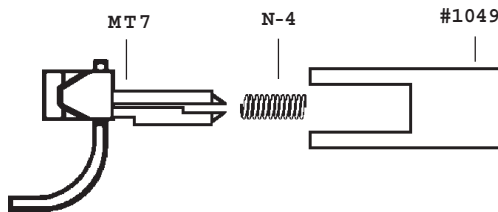
1047 Pilot (assembled) with T-Shank coupler and adaptor arm, plus truck mounted coupler (tender).
001 50 030



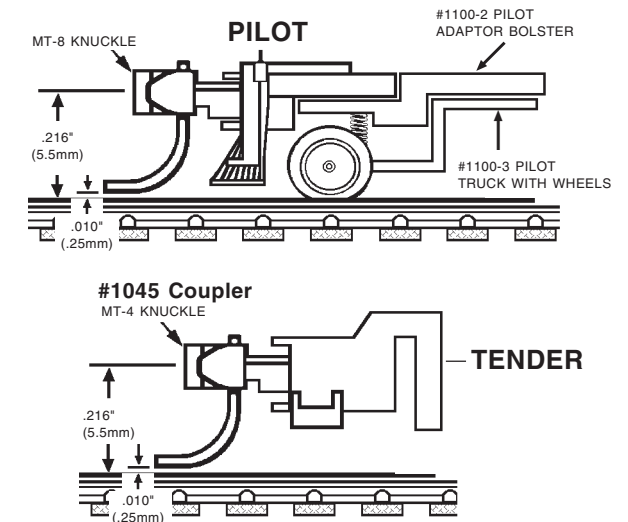
1048 Body mount (assembled) couplers (pilot and tender) with shim (tender)
001 30 002



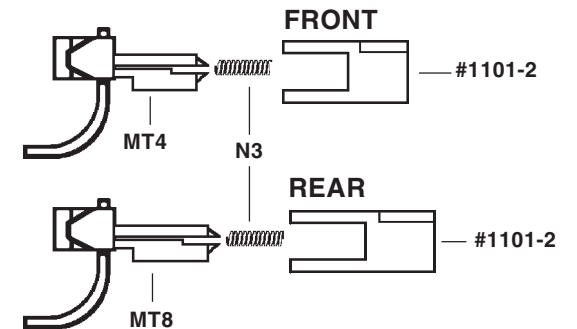
1049 T-Shank (unassembled) couplers with adaptors (front and rear)
001 30 003



1100 Pilot (assembled) with T-Shank coupler and adaptor bolster, plus two-wheel pilot truck with wheels. And an assembled T-Shank coupler with draft gear box (tender)
001 48 020



Section1 • Page 7 (front and rear)



Continued ... Section 2 • Page 12

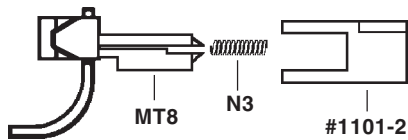
Couplers by Number (continued)

The following pages include dimensions for couplers and pilots. This information is vital in helping you determine the easiest conversion for each of your applications.

Note: Measurements given may vary plus or minus .005", due to the molding process and materials used.

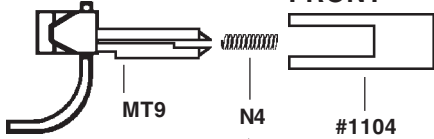
1102 T-Shank (unassembled) couplers with adaptors
001 35 010 (front and rear)

FRONT and REAR

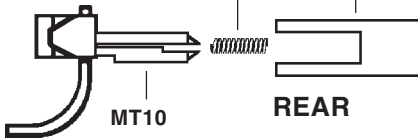


1103 T-Shank (unassembled) couplers with adaptors
001 44 000 (front and rear)

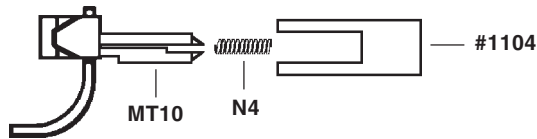
FRONT



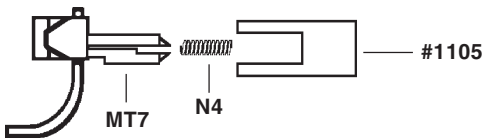
REAR



1104 T-Shank (unassembled) couplers with adaptors
001 30 009 **FRONT and REAR**

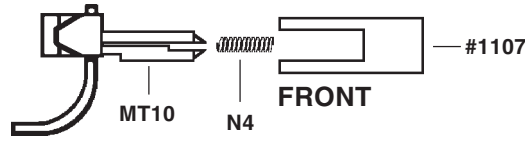


1105 T-Shank (unassembled) couplers with adaptors
001 44 010 **FRONT and REAR**

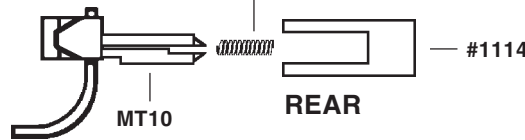


1107 T-Shank (unassembled) couplers with adaptors
001 32 000 (front and rear)

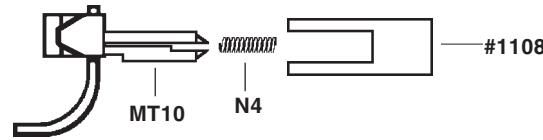
FRONT



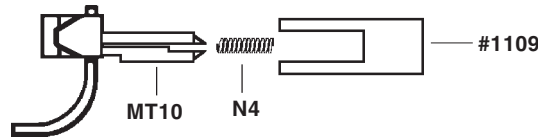
REAR



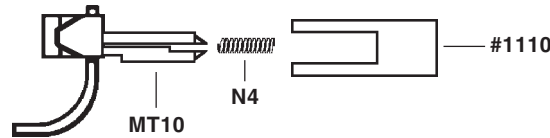
1108 T-Shank (unassembled) couplers with adaptors
001 32 010 **FRONT and REAR**



1109 T-Shank (unassembled) couplers with adaptors
001 30 008 **FRONT and REAR**

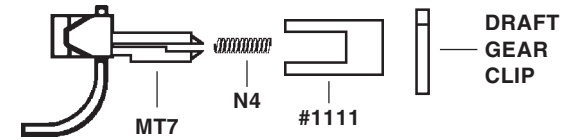


1110 T-Shank (unassembled) couplers with adaptors
001 30 004 **FRONT and REAR**



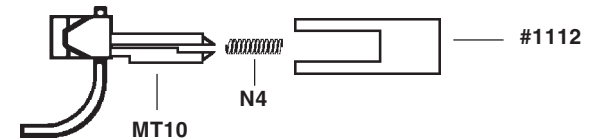
1111 T-Shank (unassembled) couplers with adaptors
001 30 007 (front and rear) and plastic draft gear box clips

FRONT and REAR



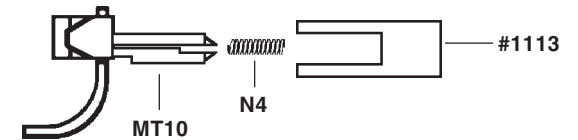
1112 T-Shank (unassembled) couplers with adaptors
001 32 020 (front and rear)

FRONT and REAR



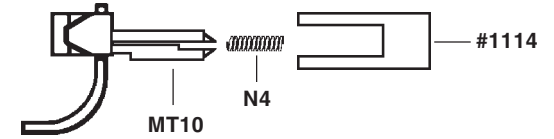
1113 T-Shank (unassembled) couplers with adaptors
001 30 005 (front and rear)

FRONT and REAR



1114 T-Shank (unassembled) couplers with adaptors
001 30 006 (front and rear)

FRONT and REAR



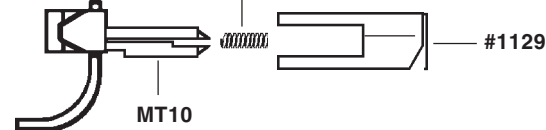
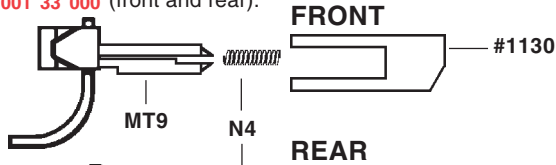
Continued ... Section 2 • Page 13

Couplers by Number (continued)

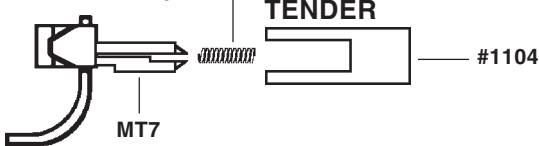
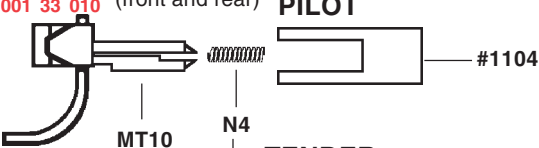
The following pages include dimensions for couplers and pilots. This information is vital in helping you determine the easiest conversion for each of your applications.

Note: Measurements given may vary plus or minus .005", due to the molding process and materials used.

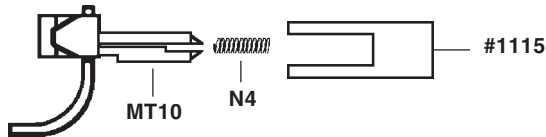
1115 T-Shank (unassembled) couplers with adaptors
001 33 000 (front and rear).



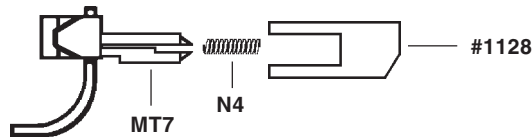
1124 T-Shank (unassembled) couplers with adaptors
001 33 010 (front and rear)



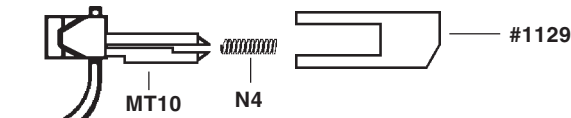
1125 T-Shank (unassembled) couplers with adaptors
(front and rear)
FRONT and REAR



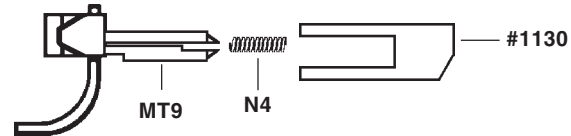
1128 T-Shank (unassembled) couplers with adaptors
001 30 012 (front and rear). UNIVERSAL SHORT T-SHANK
FRONT and REAR



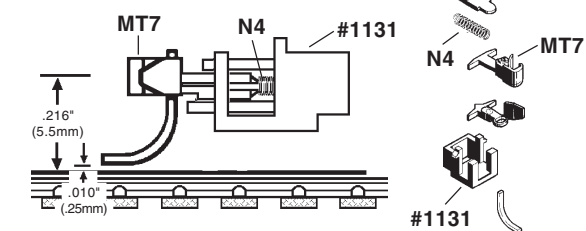
1129 T-Shank (unassembled) couplers with adaptors
001 30 013 (front and rear). UNIVERSAL MED. T-SHANK
FRONT and REAR



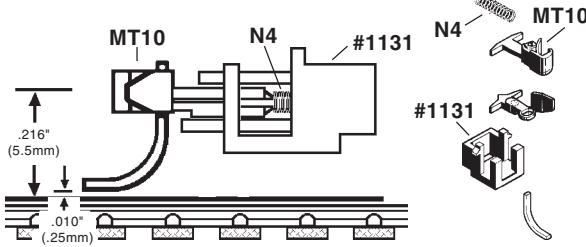
1130 T-Shank (unassembled) couplers with adaptors
001 30 014 (front and rear). UNIVERSAL LONG T-SHANK
FRONT and REAR



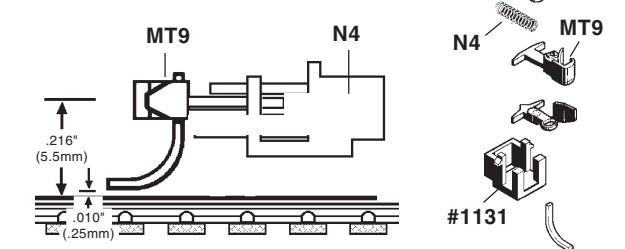
1131 T-Shank (unassembled) couplers with adaptors
001 33 020 (front and rear). UNIVERSAL SHORT T-SHANK
FRONT and REAR



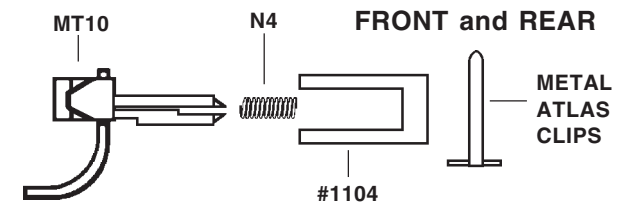
1133 T-Shank (unassembled) couplers with adaptors
001 33 030 (front and rear) and draft gear boxes (front and rear)
UNIVERSAL Med. T-SHANK
FRONT and REAR



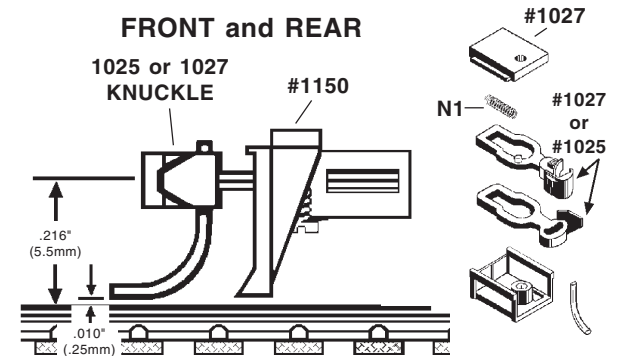
1134 T-Shank (unassembled) couplers with adaptors
001 33 031 (front and rear) and draft gear boxes (front and rear)
UNIVERSAL LONG T-SHANK
FRONT and REAR



1135 T-Shank (unassembled) couplers with adaptors
001 42 000 (front and rear) and metal draft gear box clips



1150 Pilots with assembled 1027 loop-shank
coupler for 12" radius track or greater, plus
unassembled optional 1025 loop-shank coupler
for less than 12" radius track. (front & rear)

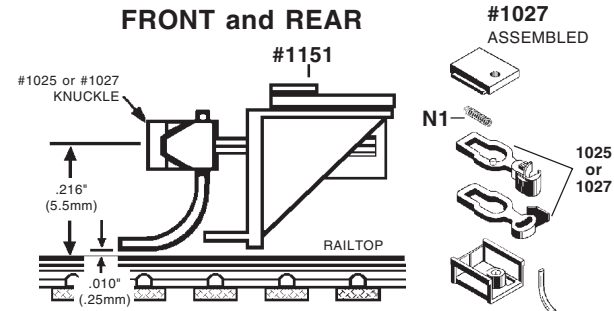


Couplers by Number (continued)

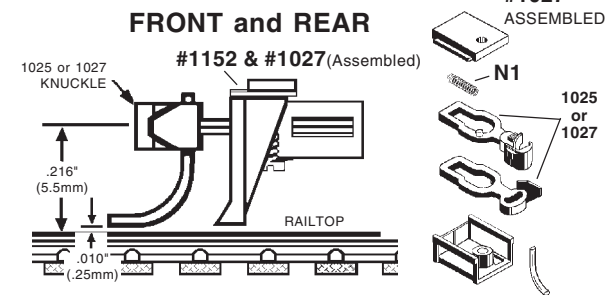
The following pages include dimensions for couplers and pilots. This information is vital in helping you determine the easiest conversion for each of your applications.

Note: Measurements given may vary plus or minus .005", due to the molding process and materials used.

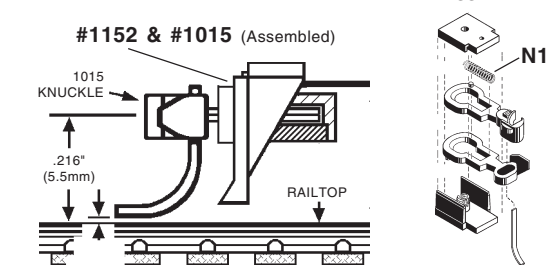
1151 Pilots with assembled 1027 loop-shank coupler for 12" radius track or greater, plus unassembled optional 1025 loop-shank coupler for less than 12" radius track. (front & rear)



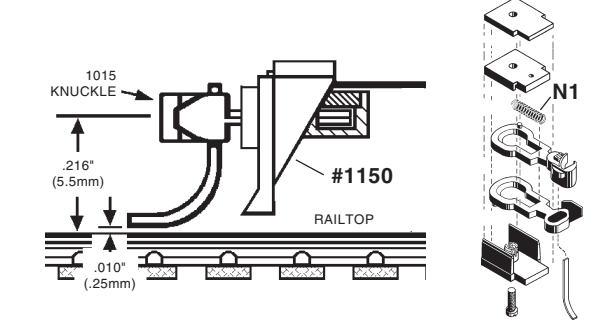
1152 Pilots with assembled 1027 loop-shank coupler for 12" radius track or greater, plus unassembled optional 1025 loop-shank coupler for less than 12" radius track. (front & rear)



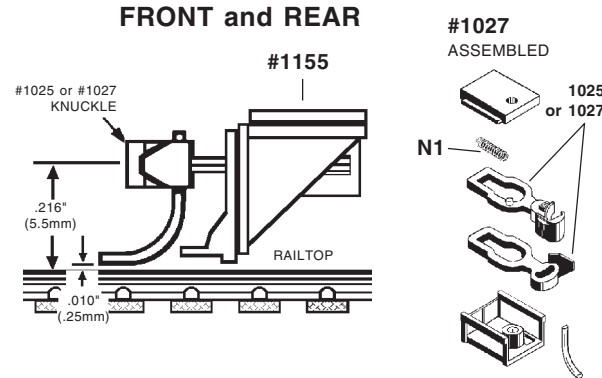
1153 Pilots with assembled loop-shank coupler (front and rear)



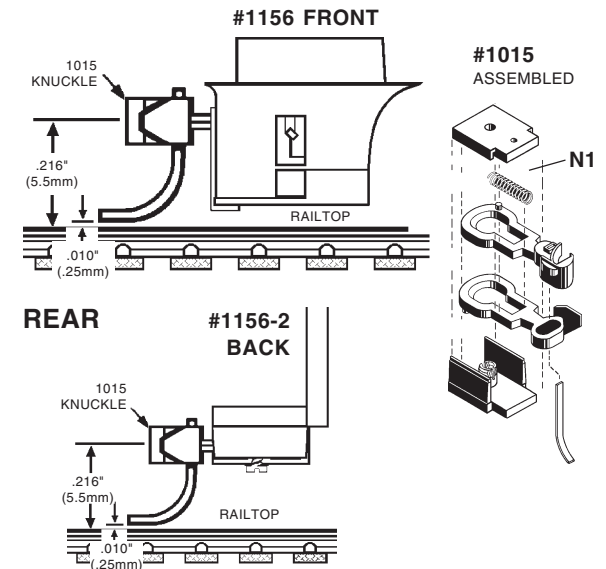
1154 Pilots with assembled loop-shank coupler (front and rear)



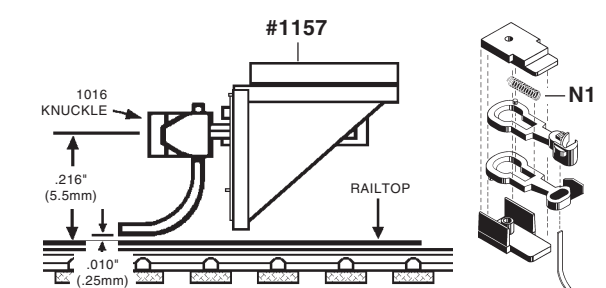
1155 Pilots with assembled 1027 loop-shank coupler for 12" radius track or greater, plus unassembled optional 1025 loop-shank coupler for less than 12" radius track. (front & rear)



1156 Front Pilot with assembled loop-shank coupler and Rear Adaptor with assembled loop-shank coupler



1157 Pilots with assembled loop-shank coupler (front and rear)

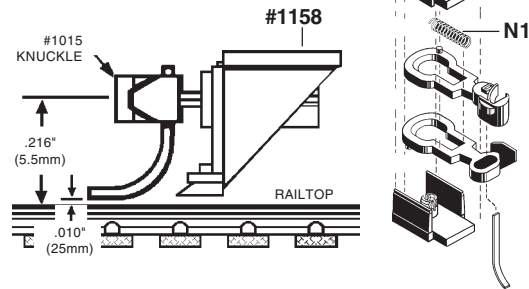


Couplers by Number (continued)

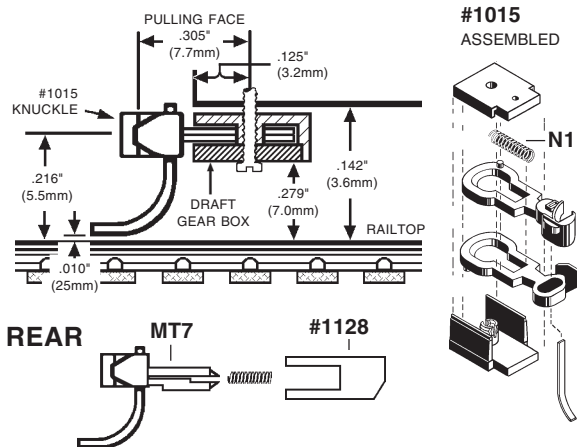
The following pages include dimensions for couplers and pilots. This information is vital in helping you determine the easiest conversion for each of your applications.

Note: Measurements given may vary plus or minus .005", due to the molding process and materials used.

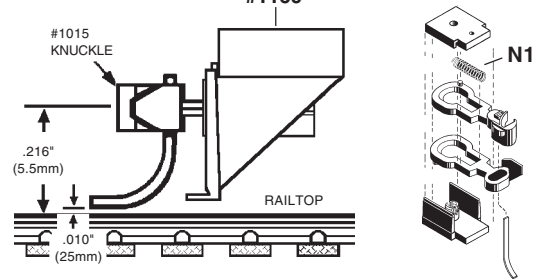
1158 Pilots with assembled loop-shank couplers (front and rear) 001 32 070 FRONT and REAR



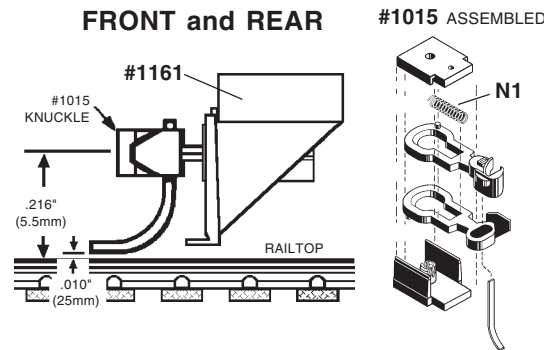
1159 Assembled loop-shank coupler (front) and unassembled T-Shank coupler w/ adaptor (rear) FRONT



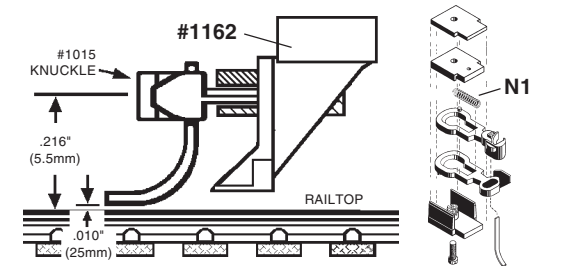
1160 Pilots with assembled loop-shank couplers (front and rear) COLOR-MATCHED 001 32 080 FRONT and REAR



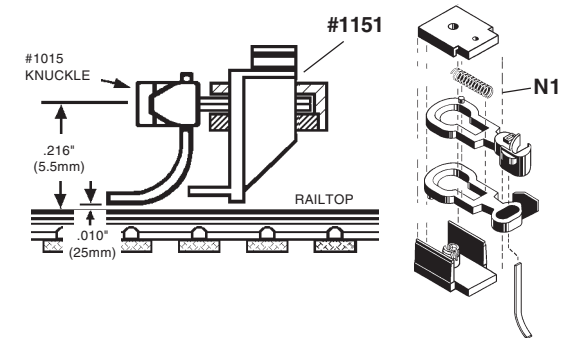
1161 Pilots with assembled loop-shank couplers (front and rear) COLOR-MATCHED 001 41 030 FRONT and REAR



1162 Pilots with assembled loop-shank couplers (front and rear) COLOR-MATCHED 001 32 090 FRONT and REAR



1163 Pilots with assembled loop-shank couplers plus unassembled optional loop-shank couplers (front and rear) COLOR-MATCHED 001 42 010 FRONT and REAR



Couplers by Number (continued)

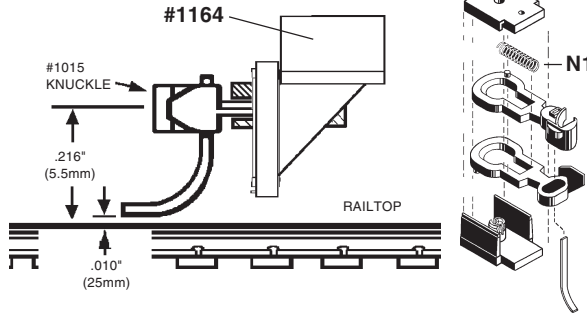
The following pages include dimensions for couplers and pilots. This information is vital in helping you determine the easiest conversion for each of your applications.

Note: Measurements given may vary plus or minus .005", due to the molding process and materials used.

1164 Pilots with assembled loop-shank couplers (front & rear)

001 33 040

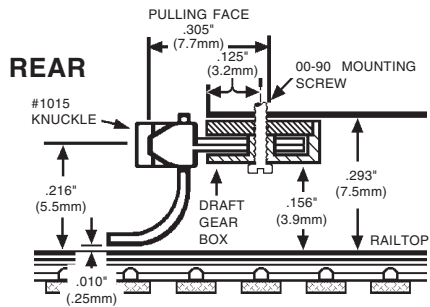
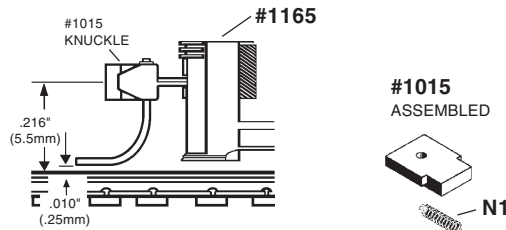
FRONT and REAR



1165 Pilot with assembled loop-shank couplers (front) & body mount w/ assembled loop-shank couplers (rear)

001 42 020

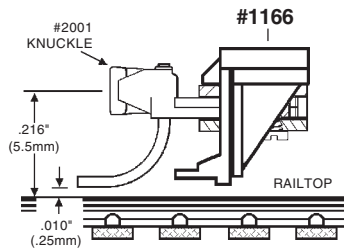
FRONT



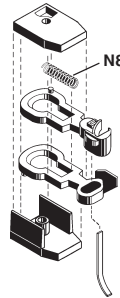
1166 Pilots with assembled loop-shank couplers (front and rear)

001 42 030

FRONT and REAR



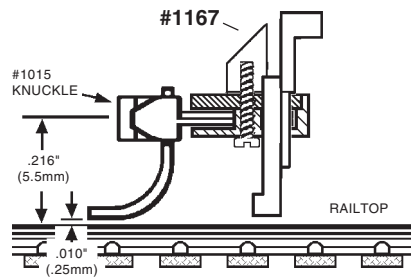
#2001 ASSEMBLED



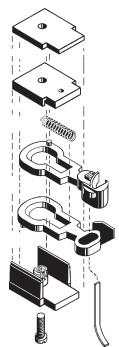
1167 Pilots with assembled loop-shank couplers (front and rear)

001 33 050

FRONT and REAR



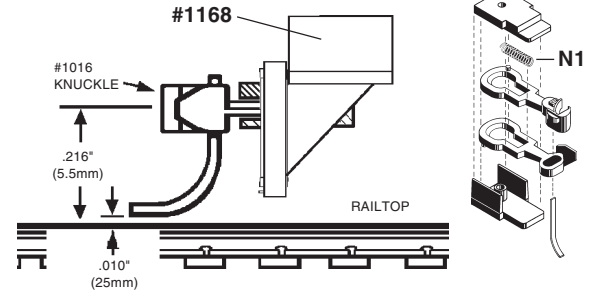
#1015 ASSEMBLED WITH SHIM



1168 Pilots with assembled loop-shank couplers (front & rear)

001 33 060

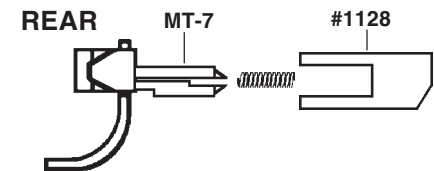
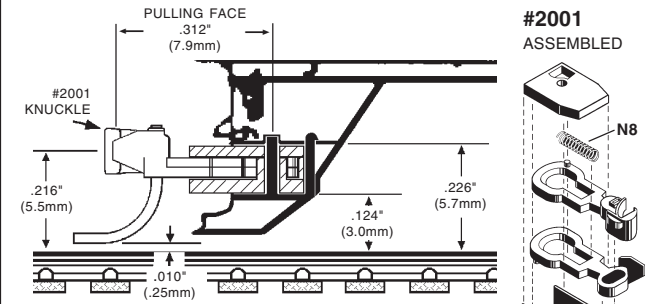
FRONT and REAR



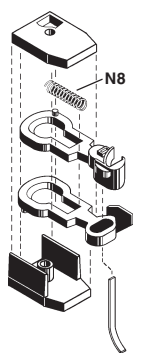
2000 Assembled loop-shank coupler (front) and unassembled T-shank couplers with adaptors (rear)

001 41 040

FRONT



#2001 ASSEMBLED

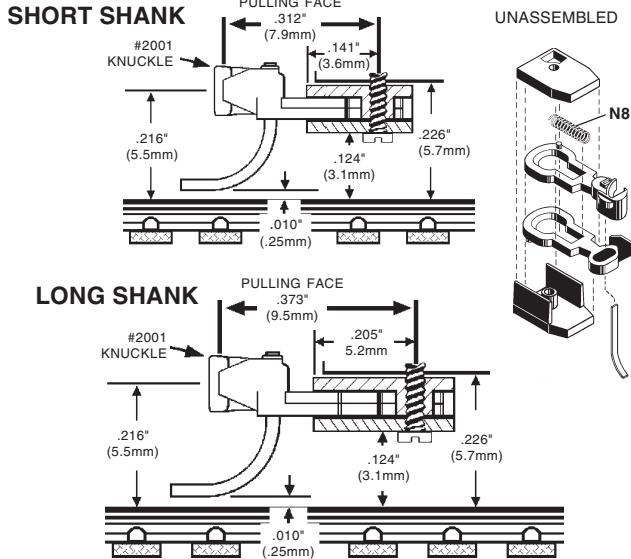


Couplers by Number

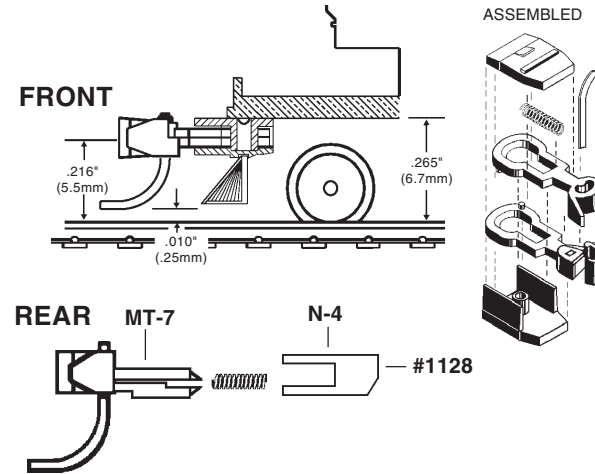
The following pages include dimensions for couplers and pilots. This information is vital in helping you determine the easiest conversion for each of your applications.

Note: Measurements given may vary plus or minus .005", due to the molding process and materials used.

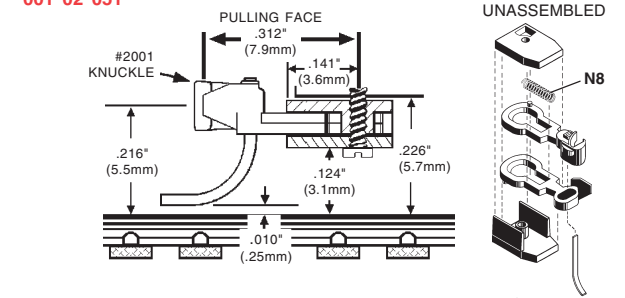
2001 Body Mount Underslung Coupler Assembly 001 02 050



2002 Assembled #2003 coupler (front) 001 41 060 and unassembled T-shank coupler (rear)



2004 Body Mount Underslung Coupler Conversion 001 02 051 (Short Shank)



2004-1 Body Mount Underslung Coupler 001 02 052 Conversion (Short Shank)

